



# 投資人交流會議 Investor Conference

2021.12.17



Oriental Union Chemical Corp.



# Company Profile

Est. 1975

Capital: NT 8.86B

Shareholders: 63,087

Production sites:

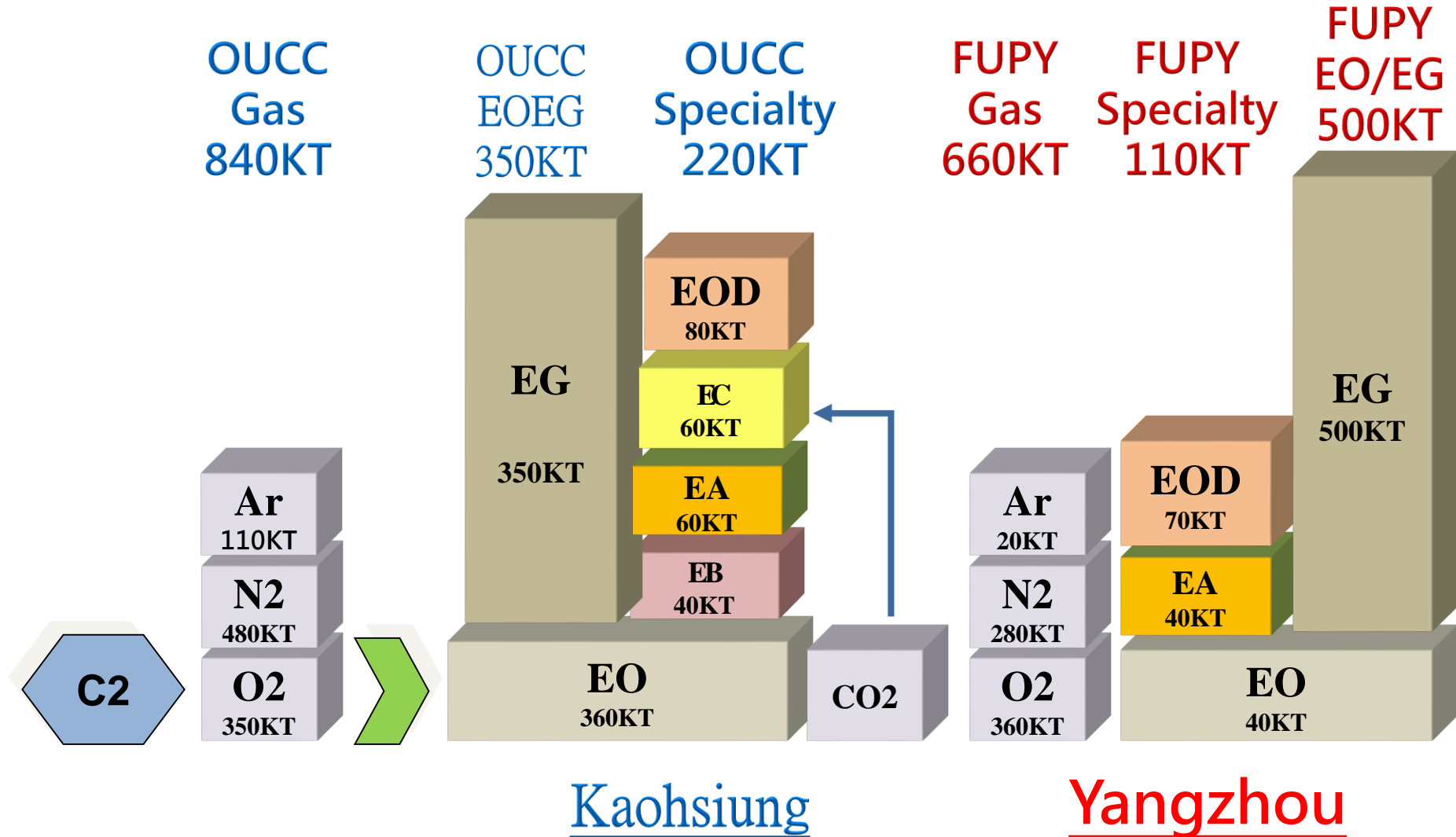
Kaohsiung

Yangzhou



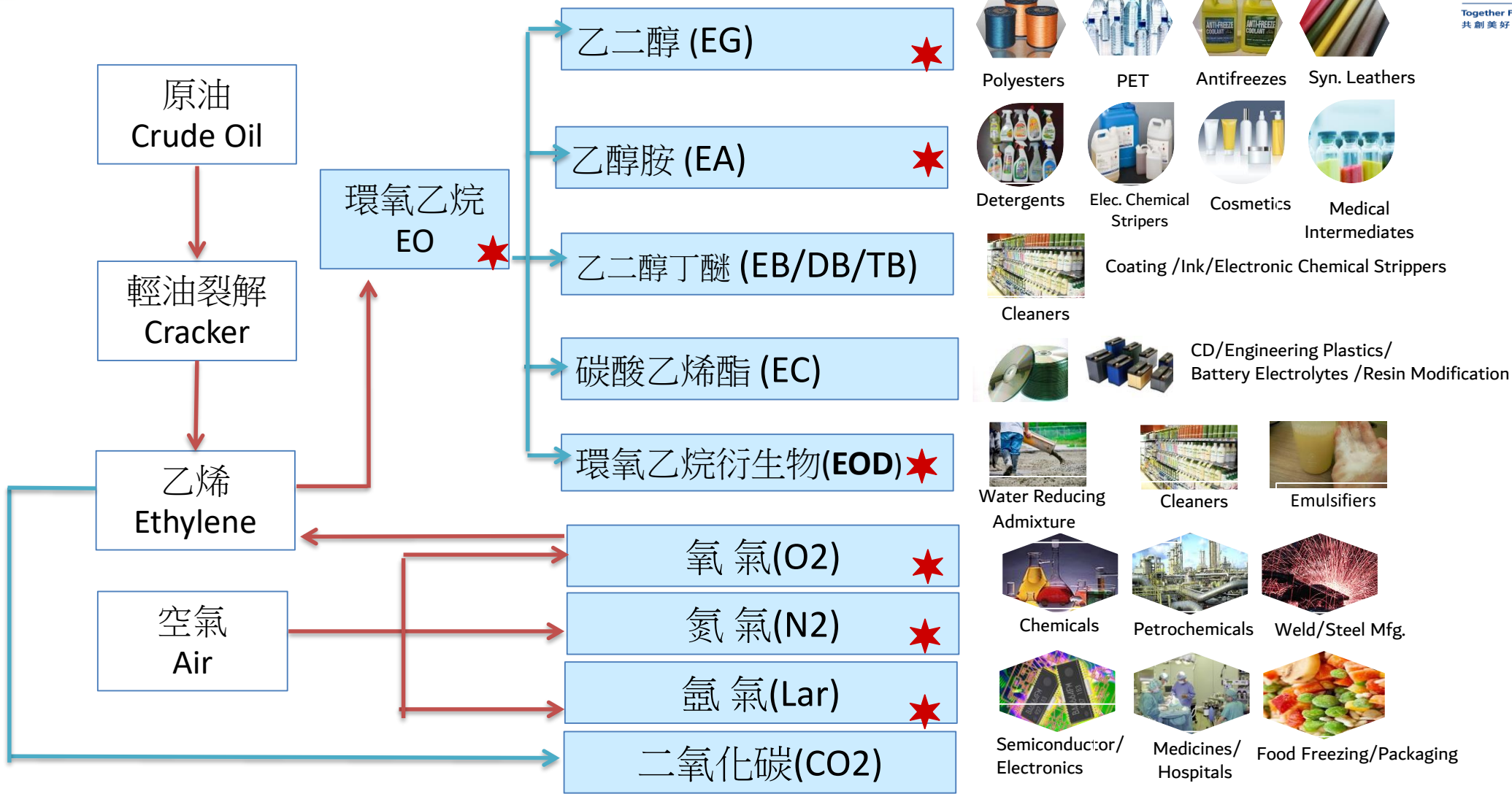


# Production Lines





**Raw Material**      **OUCC Products**      **Applications**

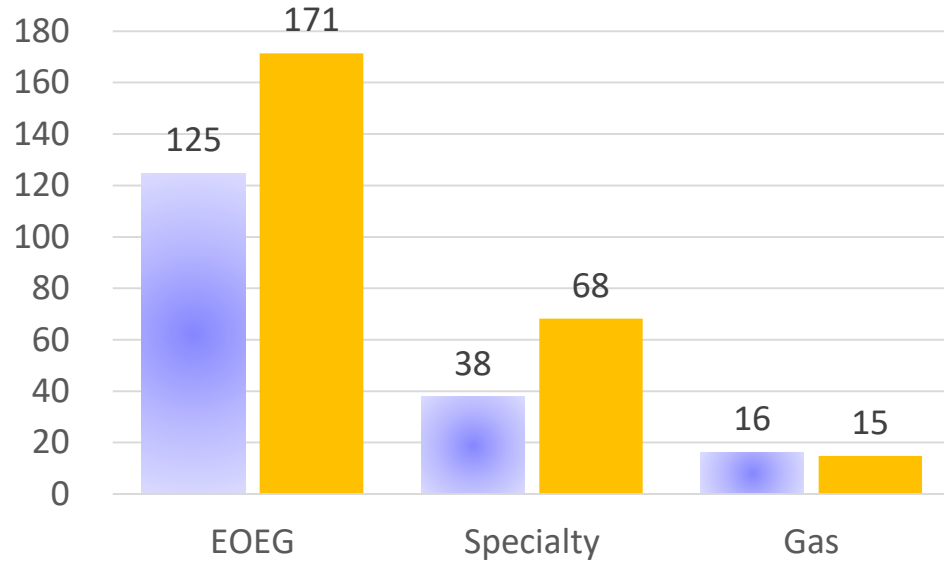


★ Items produced in both sites

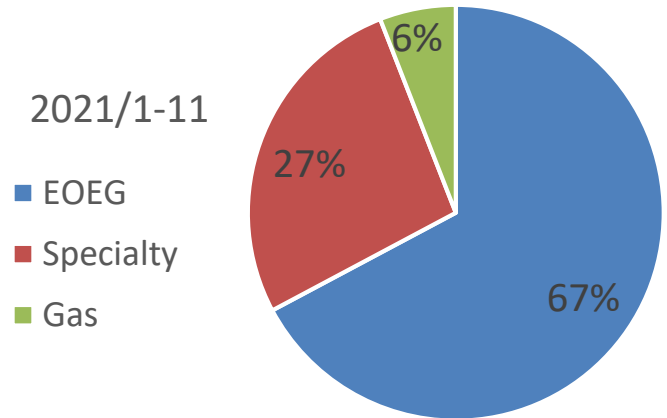


# 2020/2021 Consolidated Revenue, P/L

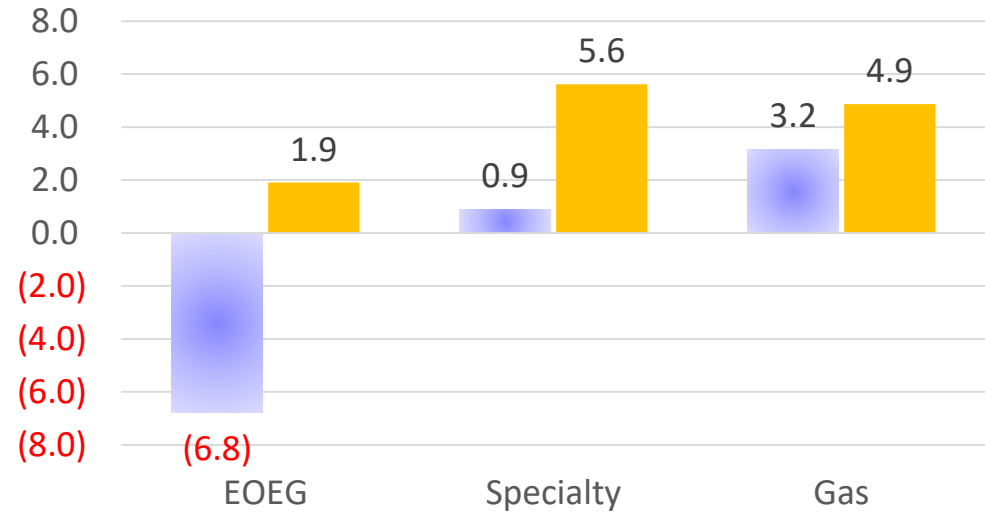
Revenue: NT 100Million (億)



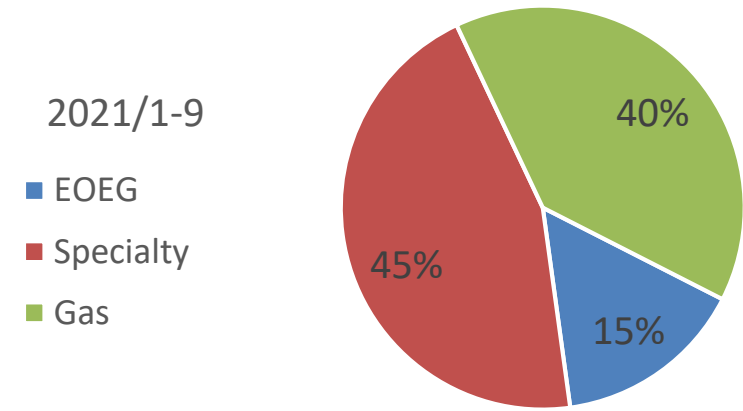
2020/1-11 2021/1-11



P/L : NT 100Million (億)



2020/1-9 2021/1-9





# Thanks for your attention

## 簡報完畢

  **東聯化學**  
ORIENTAL UNION CHEMICAL CORPORATION