



投資人交流會議 Investor Conference

2022.9



Oriental Union Chemical Corp.



Company Profile

Est. 1975

Capital: NT 8.86B

Shareholders: 68,000

Production sites:

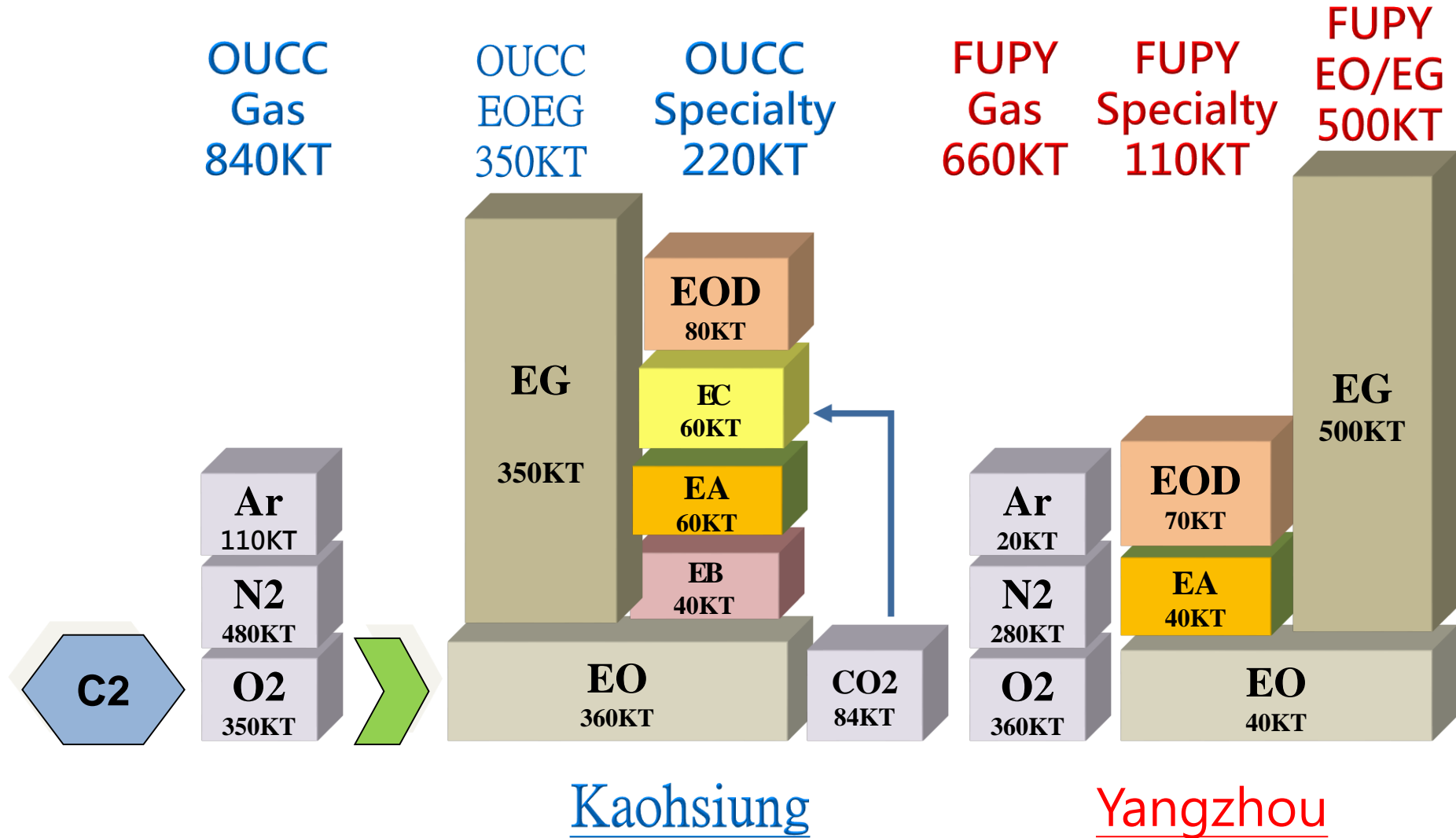
Kaohsiung

Yangzhou





Production Lines





Raw Material

OUCC Products

Applications



原油
Crude Oil

輕油裂解
Cracker

乙烯
Ethylene

空氣
Air

環氧乙烷
EO

乙二醇 (EG) ★

乙醇胺 (EA) ★

乙二醇丁醚 (EB/DB/TB)

碳酸乙烯酯 (EC)

環氧乙烷衍生物(EOD)★

聚醚胺PEA/乙二胺EDA

氧氣(O2) ★

氮氣(N2) ★

氫氣(H₂) ★

二氧化碳(CO₂)

polyesters
 PET
 Antifreezes
 Syn. Leathers

Detergents
 Elec. Stripper
 cosmetics
 Medical intermediates

Coating / Ink/ Electronic Chemical Strippers

CD/Engineering Plastics/ Battery Electrolytes / Resin Modification

Water Reducing Admixture
 Cleaners
 Emulsifiers

Coating/Epoxy curing agents / Medicals/ Agriculture additives/ Surfactants

Chemicals
 Petrochemicals
 Weld/Steel Mfg.

Semiconductor/ Electronics
 Medicines/ Hospitals
 Food Freezing/ Packaging

 Under Construction

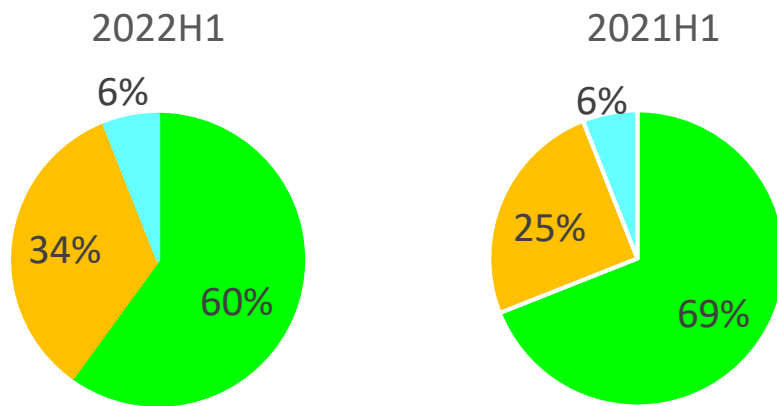
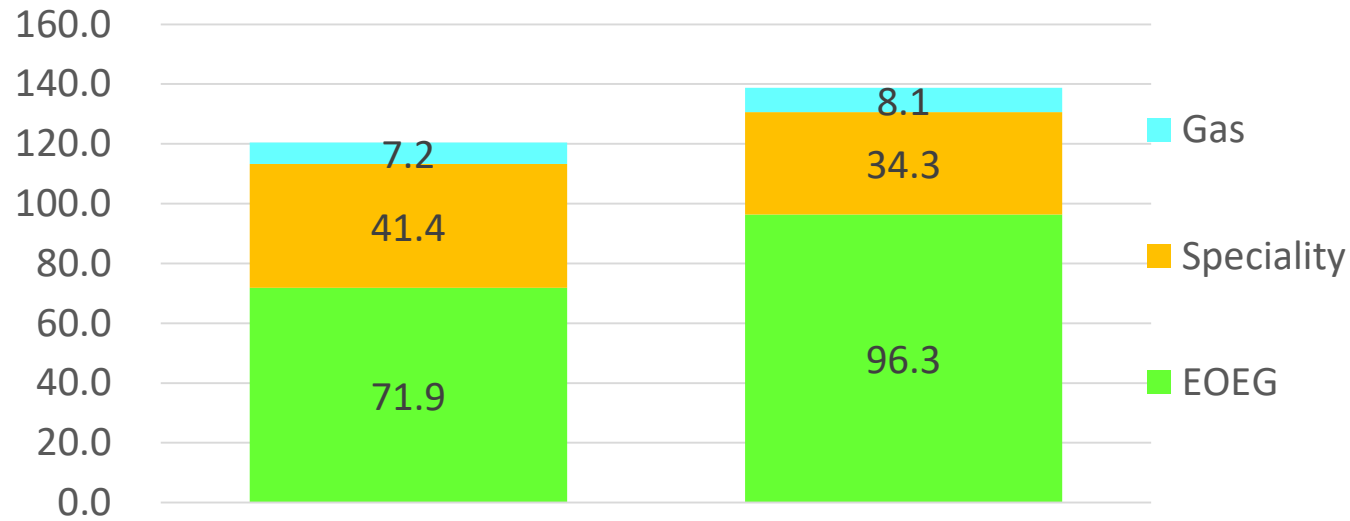
★ Items produced in both sites



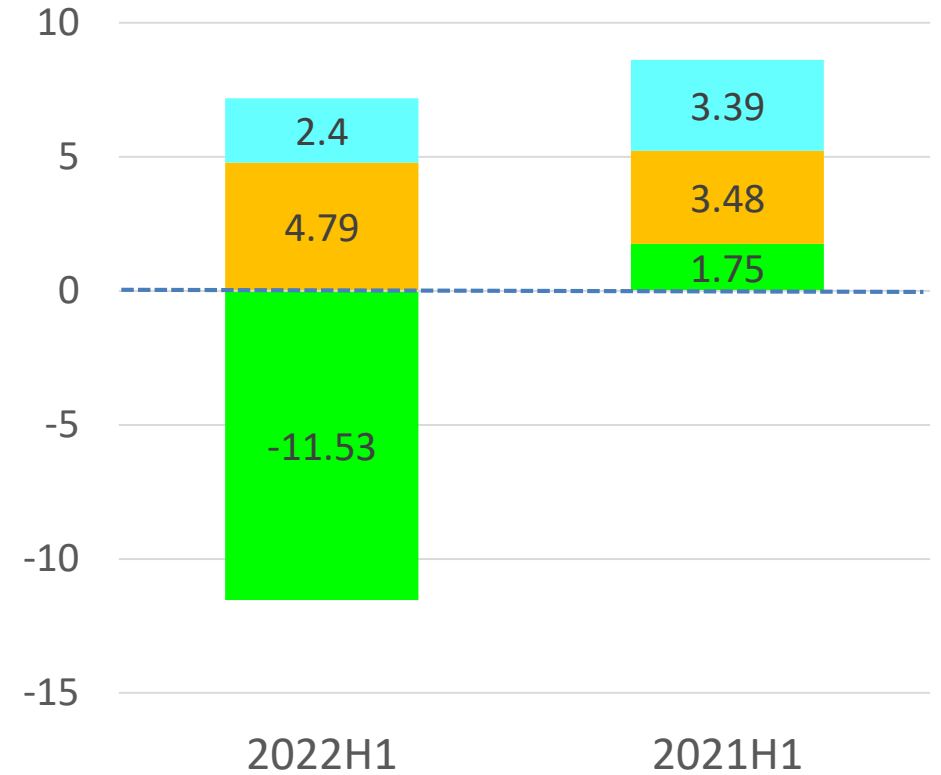
2022H1/2021H1 Consolidated Revenue



Revenue: NT 100million



P/L NT 100 Million





Thanks for your attention

簡報完畢

  **東聯化學**
ORIENTAL UNION CHEMICAL CORPORATION