



投資人交流會議 Investors Conference 2022.12



東聯化學

Oriental Union Chemical Corp.



Company Profile

Est. 1975

Capital: NT 8.86B

Shareholders: 68,000

Production sites:

Kaohsiung

Yangzhou





Production Lines



OUCC Gas
930KT

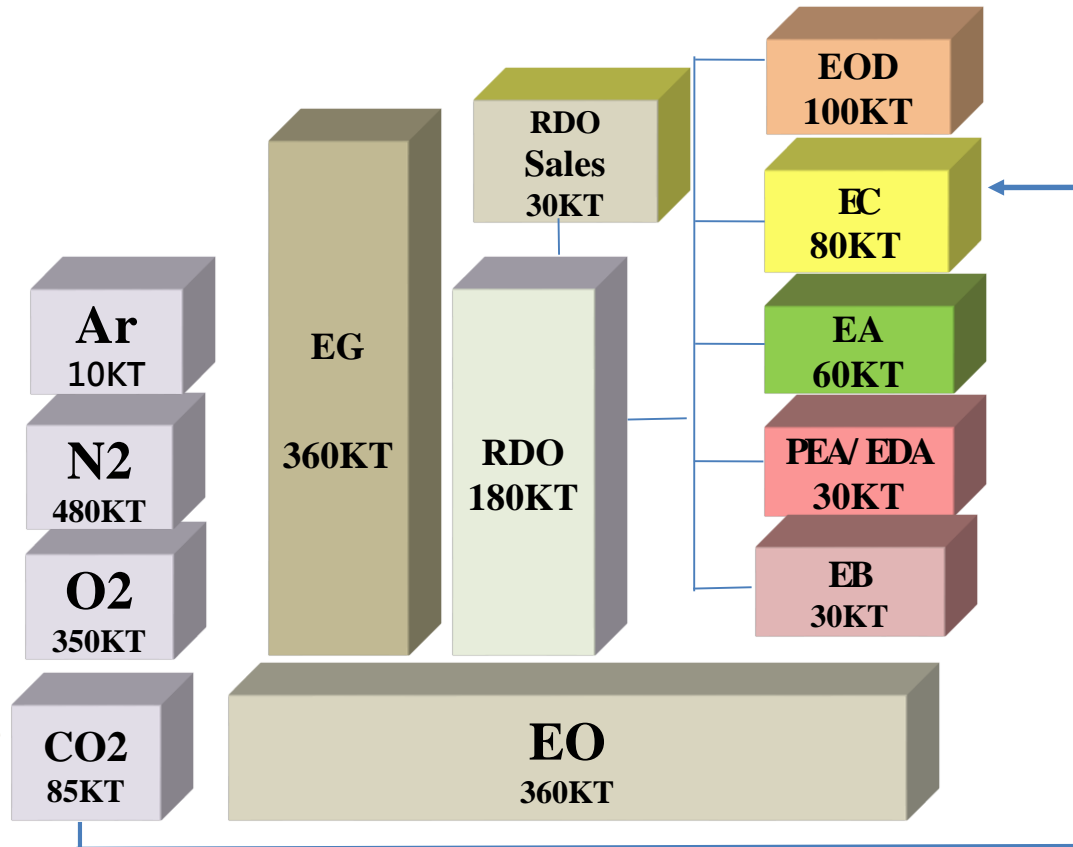
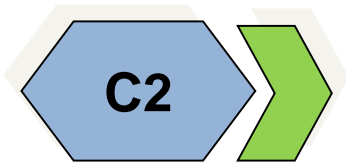
OUCC EG
360KT

OUCC Specialty
300KT

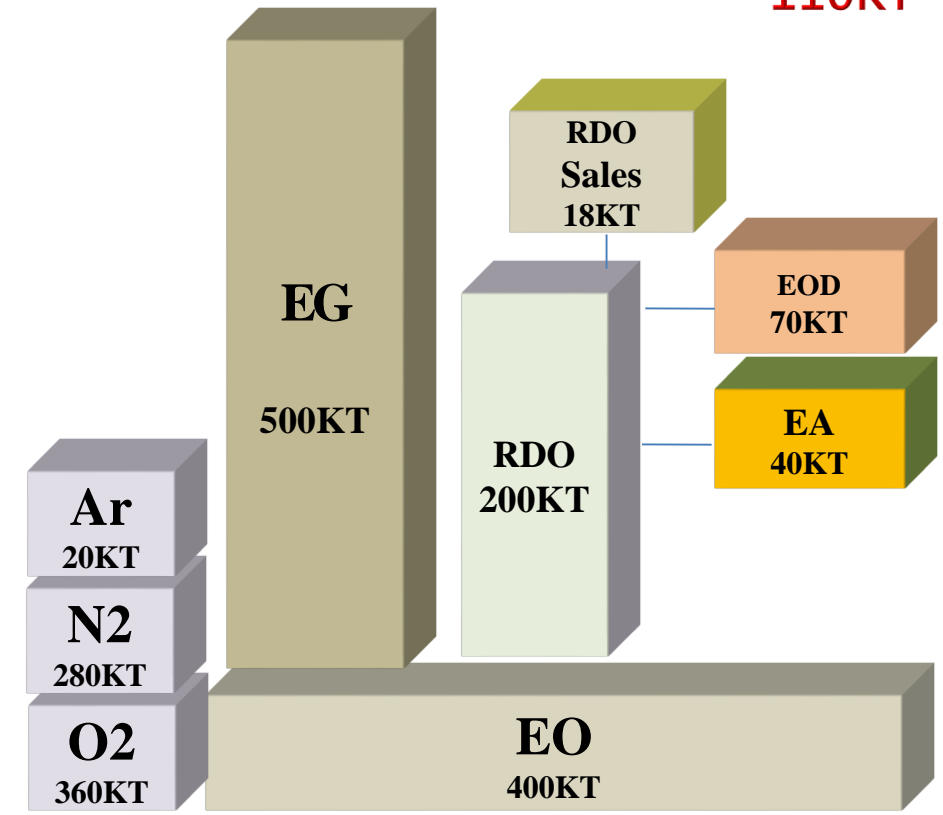
FUPY Gas
660KT

FUPY EG
500KT

FUPY Specialty
110KT



Kaohsiung



Yangzhou



Raw Material

OUCC Products

Applications



原油
Crude Oil

輕油裂解
Cracker

乙烯
Ethylene

空氣
Air

環氧乙烷
EO

乙二醇 (EG) *

乙醇胺 (EA) *

乙二醇丁醚 (EB/DB/TB)

碳酸乙烯酯 (EC)

環氧乙烷衍生物(EOD) *

聚醚胺PEA/乙二胺EDA

氧氣(O2) *

氮氣(N2) *

氫氣(H2) *

二氧化碳(CO2)



polyesters



PET



Antifreezes



Syn. Leathers



Detergents



Elec. Stripper



cosmetics



Medical intermediates



Coating / Ink/Electronic Chemical Strippers



CD/Engineering Plastics/
Battery Electrolytes /Resin Modification



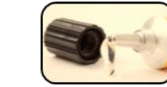
Water Reducing Admixture



Cleaners



Emulsifiers



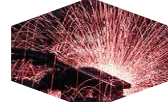
Coating/Epoxy curing agents
/Medicals/Agriculture additives/Surfactants



Chemicals



Petrochemicals



Weld/Steel Mfg.



Semiconductor/
Electronics



Medicines/
Hospitals



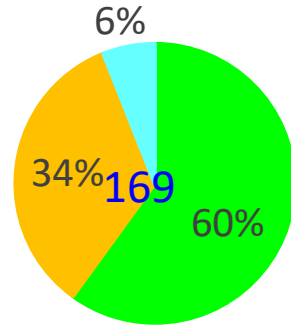
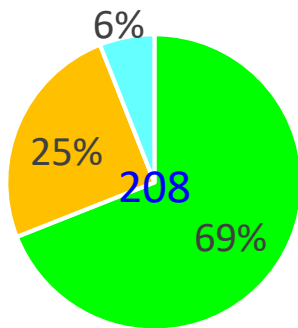
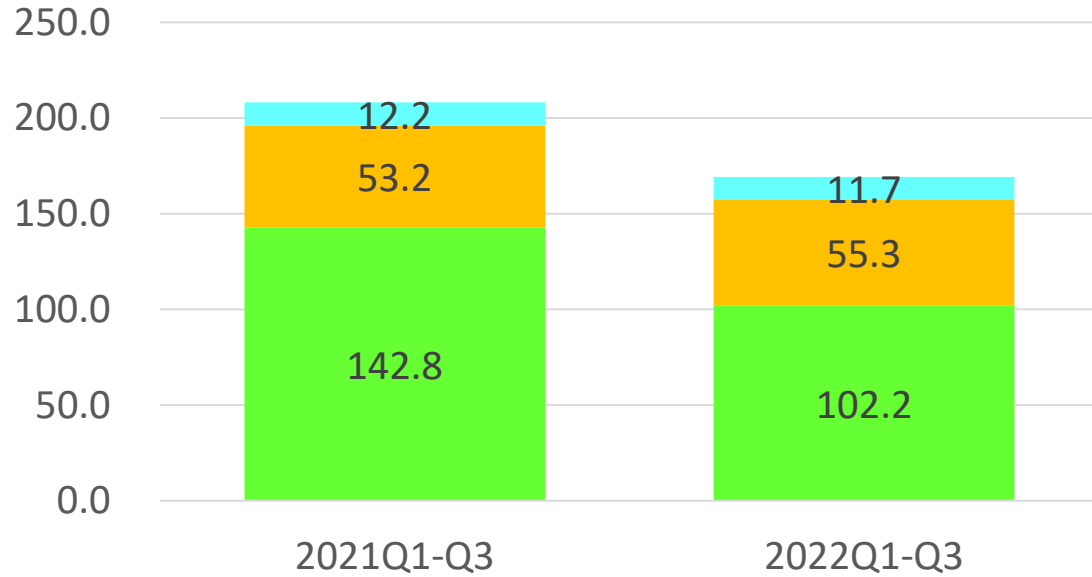
Food Freezing/Packaging

* Items produced in both sites

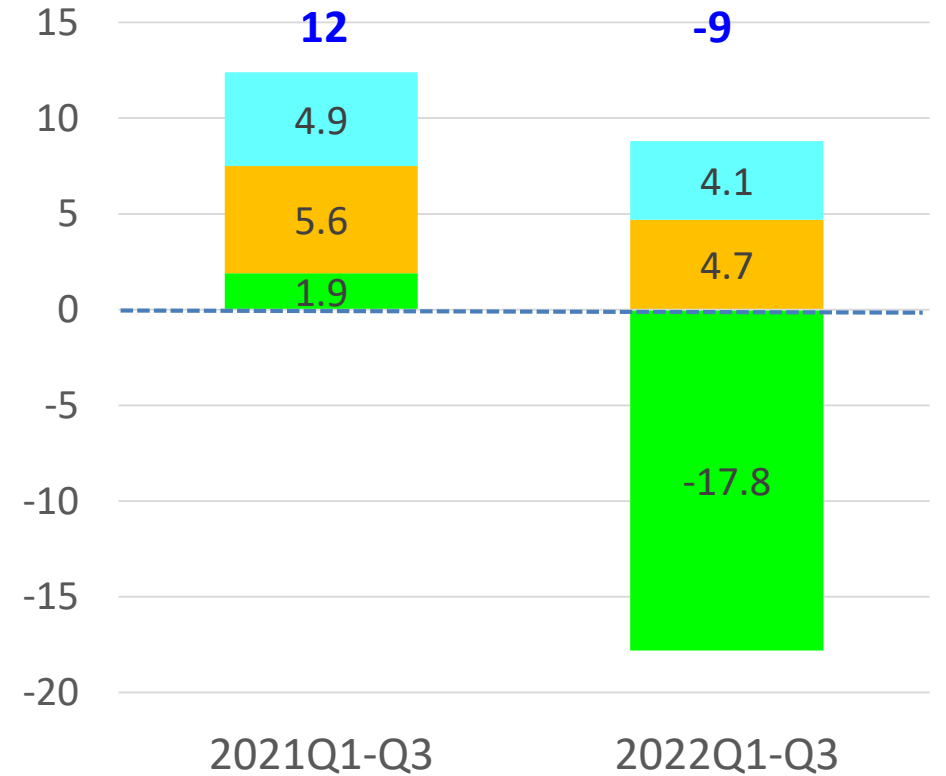


2022/2021 Q1-Q3 Consolidated Revenue

Revenue NT 100 Million



P/L NT 100 Million





Thanks for your attention

簡報完畢

  **東聯化學**
ORIENTAL UNION CHEMICAL CORPORATION